

IEC combination starters combine the requirements of motor overload and short circuit protection in one convenient compact package. All devices provide Type 2 Coordination through 30 hp at 460 V. Devices are available in Type 1 and Type 12/3R enclosures. The IEC combination starter line accepts standard TeSys D accessories and all Insta-Kits™ pilot devices and control power transformer kits. Standard capacity control power transformers with built-in fuse block can be installed in the standard enclosure. For extra capacity, please refer to your local distributor or nearest Square D/Schneider Electric sales office.

NOTE: Use tables and notes from page 18-21 to complete the catalog numbers.

Table 18.72: Enclosed full voltage non-reversing fusible combination starters

Max. Horsepower Ratings (AC3) 3 Phase				Fuse Clip Rating		Auxiliary Contacts		Current Rating of Contactor	Catalog Number	\$ Price	Catalog Number		\$ Price
200 V	230 V	460 V	575 V	Amperes	UL Class	N.O.	N.C.				Type 1	Type 12/3R	
2	2	5	7.5	30 A	CC	1	1	9	LE1D096B62****	426.	LE1D096B72****	551.	
3	3	7.5	10	30 A	CC	1	1	12	LE1D126B62****	468.	LE1D126B72****	592.	
5	5	10	15	30 A	J	1	1	18	LE1D186B62****	484.	LE1D186B72****	607.	
7.5	7.5	15	20	30 A	J	1	1	25	LE1D256B62****	500.	LE1D256B72****	623.	
10	10	20	25	60 A	J	1	1	32	LE1D326C62****	653.	LE1D326C72****	829.	
10	10	30	30	60 A	J	1	1	40	LE1D406C62****	708.	LE1D406C72****	877.	

Table 18.73: Enclosed full voltage reversing fusible combination starters

Max. Horsepower Ratings (AC3) 3 Phase				Fuse Clip Rating		Aux. Contacts Each Contactor		Current Rating of Contactor	Catalog Number	\$ Price	Catalog Number		\$ Price
200 V	230 V	460 V	575 V	Amperes	UL Class	N.O.	N.C.				Type 1	Type 12/3R	
2	2	5	7.5	30 A	CC	1	1	9	LE2D096B62****	712.	LE2D096B72****	837.	
3	3	7.5	10	30 A	CC	1	1	12	LE2D126B62****	778.	LE2D126B72****	915.	
5	5	10	15	30 A	J	1	1	18	LE2D186B62****	808.	LE2D186B72****	950.	
7.5	7.5	15	20	30 A	J	1	1	25	LE2D256B62****	833.	LE2D256B72****	980.	
10	10	20	25	60 A	J	1	1	32	LE2D326C62****	1089.	LE2D326C72****	1281.	
10	10	30	30	60 A	J	1	1	40	LE2D406C62****	1179.	LE2D406C72****	1371.	

Table 18.74: Enclosed full voltage non-reversing circuit breaker combination starters

Max. Horsepower Ratings (AC3) 3 Phase				Auxiliary Contacts		Circuit Breaker Maximum Current Rating	Current Rating of Contactor	Catalog Number	\$ Price	Catalog Number		\$ Price
200 V	230 V	460 V	575 V	N.O.	N.C.					Type 1	Type 12/3R	
2	2	5	7.5	1	1	15 A	9	LE1D097D62****	569.	LE1D097D72****	730.	
3	3	7.5	10	1	1	15 A	12	LE1D127D62****	622.	LE1D127D72****	789.	
5	5	10	15	1	1	30 A	18	LE1D187E62****	647.	LE1D187E72****	808.	
7.5	7.5	15	20	1	1	30 A	25	LE1D257E62****	668.	LE1D257E72****	834.	
10	10	20	25	1	1	50 A	32	LE1D327F62****	870.	LE1D327F72****	1088.	
10	10	30	30	1	1	50 A	40	LE1D407F62****	944.	LE1D407F72****	1179.	

Table 18.75: Enclosed full voltage reversing circuit breaker combination starters

Max. Horsepower Ratings (AC3) 3 Phase				Auxiliary Contacts Each Contactor		Circuit Breaker Maximum Current Rating	Current Rating of Contactor	Catalog Number	\$ Price	Catalog Number		\$ Price
200 V	230 V	460 V	575 V	N.O.	N.C.					Type 1	Type 12/3R	
2	2	5	7.5	1	1	15 A	9	LE2D097D62****	836.	LE2D097D72****	972.	
3	3	7.5	10	1	1	15 A	12	LE2D127D62****	944.	LE2D127D72****	1096.	
5	5	10	15	1	1	30 A	18	LE2D187E62****	1010.	LE2D187E72****	1174.	
7.5	7.5	15	20	1	1	30 A	25	LE2D257E62****	1075.	LE2D257E72****	1251.	
10	10	20	25	1	1	50 A	32	LE2D327F62****	1403.	LE2D327F72****	1631.	
10	10	30	30	1	1	50 A	40	LE2D407F62****	1522.	LE2D407F72****	1770.	

Table 18.76: Enclosed full voltage non-reversing non-fused combination starters

Max. Horsepower Ratings (AC3) 3 Phase				Fuse Clip Rating		Auxiliary Contacts		Current Rating of Contactor	Catalog Number	\$ Price	Catalog Number		\$ Price
200 V	230 V	460 V	575 V	Amperes	UL Class	N.O.	N.C.				Type 1	Type 12/3R	
2	2	5	7.5	30 A	CC	1	1	9	LE1D096A62****	416.	LE1D096A72****	541.	
3	3	7.5	10	30 A	CC	1	1	12	LE1D126A62****	458.	LE1D126A72****	532.	
5	5	10	15	30 A	J	1	1	18	LE1D186A62****	474.	LE1D186A72****	597.	
7.5	7.5	15	20	30 A	J	1	1	25	LE1D256A62****	490.	LE1D256A72****	613.	
10	10	20	25	60 A	J	1	1	32	LE1D326A62****	643.	LE1D326A72****	819.	
10	10	30	30	60 A	J	1	1	40	LE1D406A62****	698.	LE1D406A72****	867.	

Table 18.77: Enclosed full voltage reversing non-fused combination starters

Max. Horsepower Ratings (AC3) 3 Phase				Fuse Clip Rating		Aux. Contacts Each Contactor		Current Rating of Contactor	Catalog Number	\$ Price	Catalog Number		\$ Price
200 V	230 V	460 V	575 V	Amperes	UL Class	N.O.	N.C.				Type 1	Type 12/3R	
2	2	5	7.5	30 A	CC	1	1	9	LE2D096A62****	702.	LE2D096A72****	827.	
3	3	7.5	10	30 A	CC	1	1	12	LE2D126A62****	768.	LE2D126A72****	905.	
5	5	10	15	30 A	J	1	1	18	LE2D186A62****	798.	LE2D186A72****	940.	
7.5	7.5	15	20	30 A	J	1	1	25	LE2D256A62****	823.	LE2D256A72****	970.	
10	10	20	25	60 A	J	1	1	32	LE2D326A62****	1079.	LE2D326A72****	1271.	
10	10	30	30	60 A	J	1	1	40	LE2D406A62****	1169.	LE2D406A72****	1361.	

Factory Modifications and INSTA-KITS™ selection

Add the Factory Modification Code to the end of the catalog number created from page 18-21. With the use of INSTA-KITS™, only one operator scheme is allowed. Only the combinations of operators and pilot lights shown below can be ordered.

Pilot lights will be at the coil voltage indicated in the catalog number for the starter.

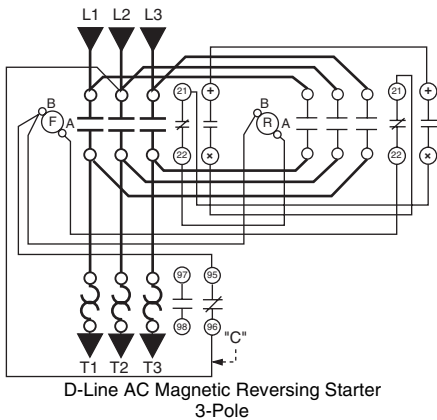
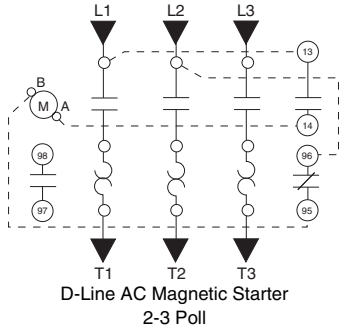
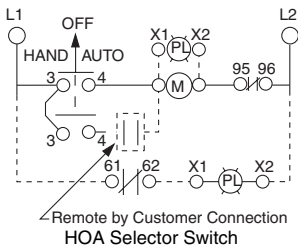
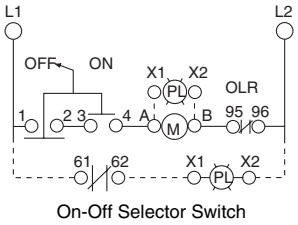
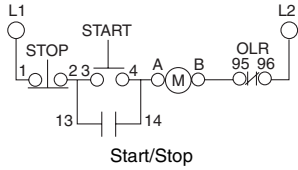


Table 18.78:

Description	Factory Modification Code▲	\$ Price	Insta-Kits (for field installation)	\$ Price
Control Units Only				
For-rev-stop Push Button	A06L	131.	LA9CA06LT	71.00
Start/Stop Push Button	A06G	65.	LA9CA06GT	32.80
I/O (Start/Stop) Push Button	N/A	—	N/A	—
I/O Push Button (double touch)	A06I	83.	LA9CA06IO	41.50
Emergency Stop	N/A	—	N/A	—
Hand-Off-Auto Selector Switch	A06E	65.	LA9CA06ET	32.80
On/off Selector Switch	A06D	65.	LA9CA06DT	41.50
Start/Mushroom Head Stop Push Button	A06X	65.	LA9CA06XT	63.00
Pilot Lights only				
LED Pilot light, 24, 120 or 240 V	A16S	134.	LA9CA16ST★	66.00
Green-Red Pilot light, Direct supply, 24 or 120 V ■	A06S	112.	LA9CA06ST★	62.00
Green-Red Transformer Pilot Light, 120, 208/240, 480 or 600 V ■	A06F	207.	LA9CA06FT★	113.00
Available combination of control units and pilot lights				
Hand-Off-Auto Selector Switch w/24, 120 or 240 V LED Pilot Light	A16U	213.	LA9CA16UT★	177.00
Start/Stop Push Button w/ 24, 120 or 240 V LED Pilot Light	A16V	213.	LA9CA16VT★	177.00
On/off Selector w/ 24, 120 or 240 V LED Pilot Light	A16W	213.	LA9CA16WT★	177.00
Start/Stop Push Button w/ Green-Red Transformer Pilot Light	A06N	177.	LA9CA06NT★	95.00
Start/Stop Push Button w/Green-Red Pilot Light	A06V	177.	LA9CA06VT	95.00
Hand-Off-Auto Selector Switch w/Green-Red Pilot Light	A06U	273.	LA9CA06UT	97.00
Hand-Off-Auto Selector Switch w/Green-Red Transformer Pilot Light	A06J	273.	LA9CA06JT★	147.00
On/off Selector w/Green-Red Pilot Light	A06W	177.	LA9CA06WT	95.00
On/off Selector w/Green-Red Transformer Pilot Light	A06H	273.	LA9CA06HT★	147.00
Control Power Transformer				
Standard VA, 2 fuses in Primary, 1 Fuse in secondary	A206P	260.	◆	—
50 VA extra, 2 fuses in Primary, 1 Fuse in secondary	A207P	456.	◆	—
100 VA extra, 2 fuses in Primary, 1 Fuse in secondary	A208P	634.	◆	—

- ▲ Add these forms to the catalog number selected on page 18-21. The numbers as shown are for use in NEMA 1 Enclosures. For uses in NEMA 12/3R change the 6 to a 7 (ex A06U becomes A07U). Price remains the same. The change DOES NOT apply to control power transformer forms.
- Pilot lights are wired such that the light is on when the contactor is energized. For non-LED type pilot lights, a green lens is installed on the unit when shipped. A red lens is included for use as applicable.
- ◆ Select Insta-Kits™ from table below.

Table 18.79:

Total VA	Insta-Kits™ Catalog Number	\$ Price
50	LA9TFD32★	140.00
100	LA9TFD80★	246.00
150	LA9TFD25★	343.00

★ Complete the part number for the Insta-Kits™ by selecting the voltage code from the appropriate tables below.

Table 18.80: Voltage Codes for pilot lights

Voltage (Vac)	24	120	208/240	480	600
Code	B	G	M	T	X

Table 18.81: Voltage Codes for control power transformers

Primary Voltage	120	208	240	480	600	208	240	480	600
Secondary Voltage	24					120			
Code	E	D	C	B	A	L	M	T	X